

Incell Connect –Alert is an extended alarm interface which communicates with SLB48 batteries via CAN communication and can translate information or alarms to operate two configurable dry connector relays. Additionally it can provide Bluetooth access to the battery system for installers/ maintenance staff. Using the Incell Mobile App you can access the Incell Connect – Alert to monitor/ configure alarms and view battery performance data.

- Intelligence**
 Extend the smart features in the battery system to configurable dry contacts to e.g. start/stop a gen set or send an alert.
- Local Interface**
 Connection via bluetooth to Incell Studio Mobile providing site monitoring wirelessly.
- Flexibility**
 Designed to be configurable for any combination of alerts.
- Cost Effective**
 Only one set of dry contacts needed per system.
- Easy**
 As it should be. Easy to buy, install and own.

Included Items

Name	Image	Description	Part Number
Incell Connect - Alert		The main unit housing.	800-00086
Fixture Hardware		Screws and cage nuts required to install the product. Shipped in a plastic bag.	included
Terminator Resistor		Placed into communication port at the end of the string.	810-00001
Printed Circuit Board Connector		To integrate NO/NC signal cable to existing wiring.	125-00059



Technical Data

Input Power	
Power Input	Red and Black Power Cables w/ M8 lug to connect to battery terminals
Operational Voltage	30-65 V
Auto Start Voltage	30 V
Shutdown Voltage	29 V

Output			
A1	Alert 1	5W, 60 V	Normally Open/ Normally Closed
A2	Alert 2	5W, 60 V	Normally Open/ Normally Closed

Communication Ports	Function	Interface
RS485/CAN (in)	Allows daisy-chaining of the RS485 bus. Allows MCU access to the CANbus	RJ45, 8 pin
RS485/CAN (out)	Allows daisy-chaining of the RS485 bus. Allows MCU access to the CANbus PC access (with Incell Studio) to configure dry contacts and view battery status	RJ45, 8 pin
Bluetooth BLE	Configuration of dry contacts View real time battery status	Wireless

Indications		
Power	LED Green	Power on, bluetooth connected
	LED Off	Power off
	LED Flashing	Power on, bluetooth disconnected

RJ45 Communications LED's	LED Off	No Communication
	LED Yellow/Red	Communication Problem
One for each port	LED Green	Communication OK

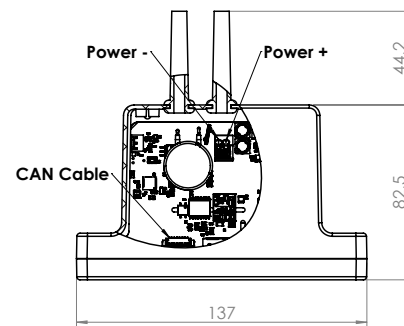
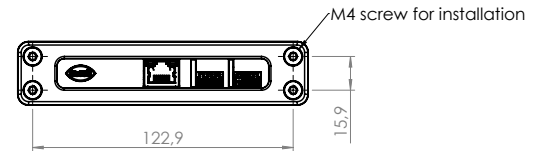
Output Dry Connector Relay	LED Off	No Alert
	LED Red	Alert Active

Environmental	
Operational Temperature	-20°C – +70°C
Ingress Protection	IP20
Humidity	20% – 95% RH

Standards	
	FCC Part 15
	ETSI 300 386
	IEC 62368
	RoHS

Technical Drawings

Incell Connect view without cables



Product Features

