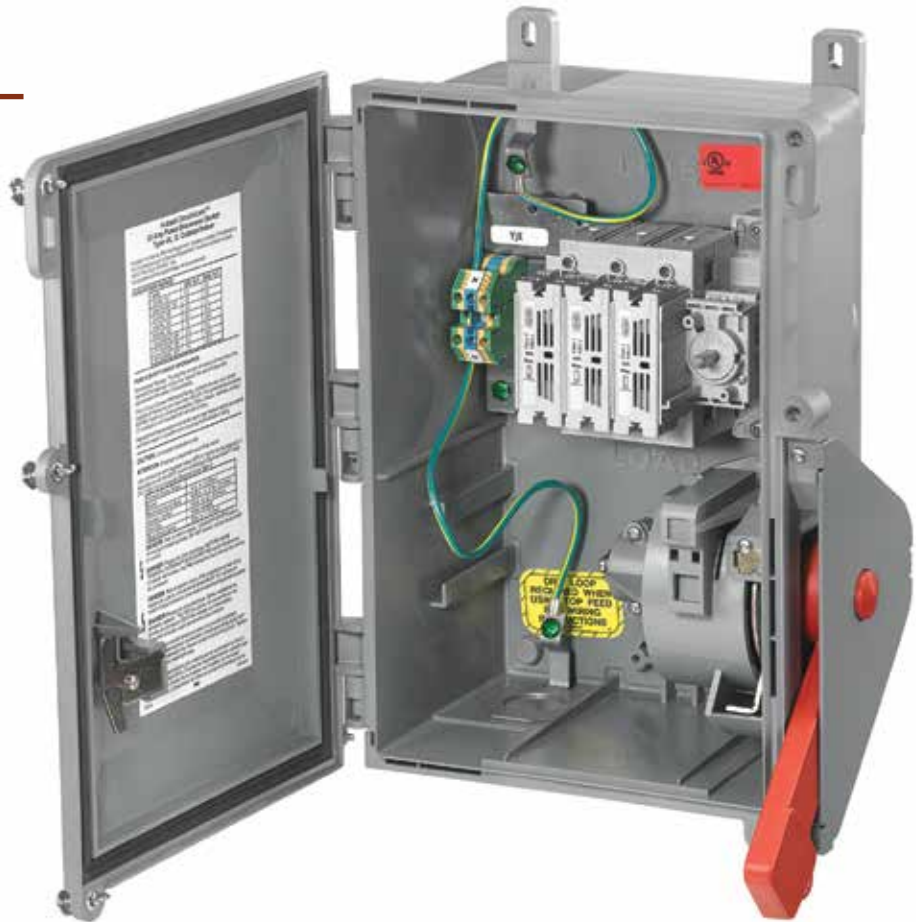


# Switched Disconnects and Enclosures

## Features and Benefits

### Circuit-Lock® 30 and 60 Ampere Fused Disconnect Switches

The Circuit-Lock Fused Disconnect Switch provides fused switched control of a directly wired load. The switch cannot be turned ON unless the enclosure cover is closed. The fuses cannot be accessed until the switch is turned OFF. The fuse holder accepts Class “J” fuses. This enclosure is non-metallic and is listed for Outdoor/Indoor (Type 4X Wash down, Corrosion resistant). The handle can be locked in the OFF position to comply with OSHA Lockout/Tagout regulations.



#### Housing Design

- Non-metallic enclosure meets UL 50E Type 4X (watertight) 12 (dust-tight) and IP66 suitability requirements
- Enclosure is molded of rugged PBT to resist abuse, corrosion and enhance safety
- Stainless steel ¼ in. turn door fasteners for quick, easy access to fuses.



#### Internal Design

- Fused disconnect switches accept Class “J” fuses
- Internal frame automatically bonds all grounds
- Captured neoprene gasket provides a watertight seal between cover and base



#### Safety

- Enclosure door can be locked to prevent unauthorized access. Additionally, if the switch is ON, the door cannot be opened
- Lockable highly visible red handle to meet OSHA lockout/tagout
- Safety interlocked fuse access door



#### Interior

- Removable door for ease of wiring and installation
- Three molded-in conduit drill points are located on the top, bottom and back surface of enclosure. Conduit hub provided: 30A 1 in. NPT, 60A 1¼ in. NPT



#### Installation

- Conduit hub and adjustable mounting feet are supplied with each Circuit-Lock® fused disconnect switch.
- Adjustable mounting feet (4) can be mounted in any of three positions for ease of installation



#### Switch

- Compact Fused Disconnect Switch accepts Class “J” fuses. Fuse holders are top mounted for easy access. The switch accepts auxiliary contacts for control circuit applications including the ON/OFF control of remote pilot lights or signal for programmable controllers.

## 30 and 60 Amp Fused Disconnect Switches

Description	Catalog Number
30A Circuit-Lock fused disconnect switch.	<b>FDS30*</b>
60A Circuit-Lock fused disconnect switch.	<b>FDS60*</b>

Note: \*Class "J" fuses not included.



**FDS30**

## Auxiliary Contacts

Description	Black Style Switch Catalog Number	Gray Style Switch Catalog Number
Auxiliary contact, normally open, A600 pilot duty, break before break.	<b>ACFSNO</b>	<b>HBLACFSNO</b>
Auxiliary contact, normally closed, A600 pilot duty, break before break.	<b>ACFSNC</b>	<b>HBLACFSNC</b>

Note: Auxiliary contacts are specific to the style switch noted and are NOT interchangeable.

## Replacement Switches

Description	Gray Style Switch Catalog Number
For 30A fused switches.	<b>HBL30MIFRS</b>
For 60A fused switches. Gray Style switch will retro fit Black Style switch.	<b>HBL60MIFRS</b>



**HBLACFSNO HBL30MIFRS**

## Watertight Closure Plug Kits

Description	Catalog Number
For 30A Circuit-Lock® unfused and fused Pin and Sleeve mechanical interlocks.	<b>MICPK30</b>
For 60 and 100A Circuit-Lock® unfused and fused Pin and Sleeve mechanical interlocks.	<b>MICPK60</b>



**ACFSNO**

## Replacement Mounting Feet

Description	Catalog Number
Replacement mounting feet and screws for 30 and 60A fused mechanical interlocks.	<b>HBLRFT2<sup>^</sup></b>

Note: 30A Units supplied with two 1 in. NPT raintight conduit fittings.  
60A Units supplied with two 1 1/4 in. NPT raintight conduit fittings.  
<sup>^</sup> Package of 10 feet and 10 screws.

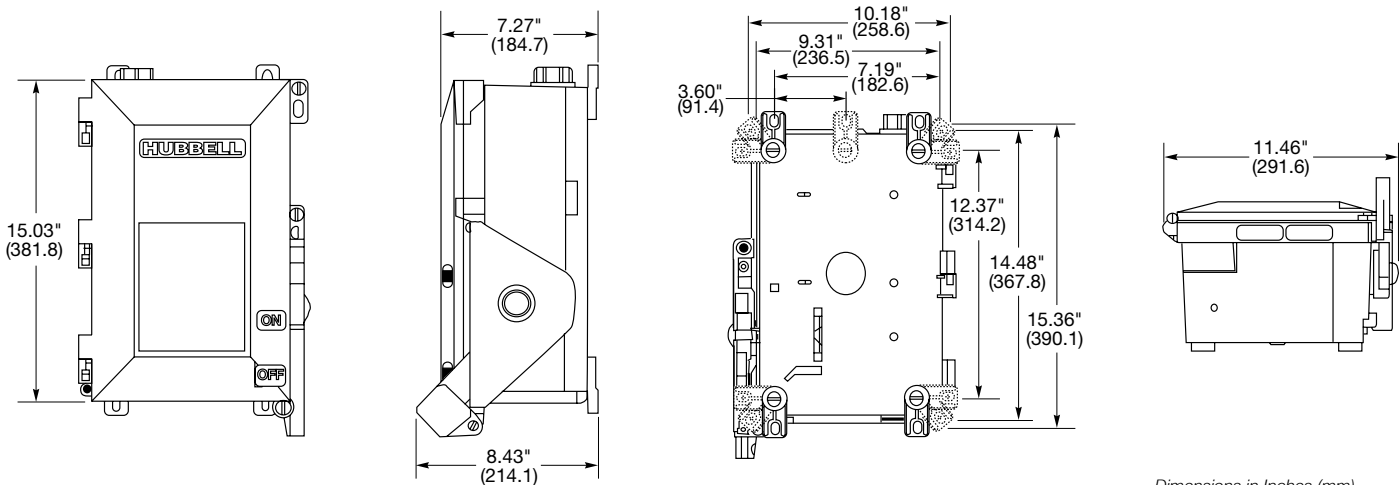


**HBLRFT2**



**MICPK30**

## Dimensions



# Switched Disconnects and Enclosures

## Horsepower Ratings

Ratings	Volts	Standard HP	Maximum HP*	Catalog Number
30A	120V AC	0.5	2	<b>FDS30</b>
600V AC	208-240V AC	1.5	3	
Max.	3Ø 240V AC	3	7.5	
	3Ø 480V AC	5	15	
	3Ø 600V AC	7.5	20	
	3Ø Y 120/208V AC	3	5	
	3Ø Y 277/480V AC	5	15	
	3Ø Y 347/600V AC	7.5	20	
60A	120V AC	1.5	3	<b>FDS60</b>
600V AC	208-240V AC	3	7.5	
Max.	3Ø 240V AC	7.5	15	
	3Ø 480V AC	15	30	
	3Ø 600V AC	15	50	
	3Ø Y 120/208V AC	7.5	15	
	3Ø Y 277/480V AC	15	30	
	3Ø Y 347/600V AC	15	40	

Note: \*Requires time delay fuses.

## Fuse and Short Circuit Information

Horsepower Ratings	The starting current of motors of more than the standard horsepower rating may require the use of fuses with appropriate time-delay characteristics.
Short Circuit Withstand Rating	Suitable for use on a circuit capable of delivering not more than 200,000 RMS symmetrical amperes at the voltage rating of receptacle when protected by Class "J" fuses.

Note: Replacement fused switch must be the same type Hubbell switch as original and have equal or greater short circuit current withstand rating.

## Circuit-Lock® Fused Disconnect Switch

### Specifications

Moisture Resistance	Indoor and Outdoor – Type 4X (Wash down, Corrosion resistant); Indoor – Type 12 (Dust-tight, Falling Dirt, Noncorrosive Liquids).
Flammability	UL94-5VA and V0 Classification.
Operating Temperature	Maximum Continuous 75°C; Minimum Continuous -40°C without impact.
UV Resistance	All materials are UV stabilized.
Dielectric Voltage	Withstands 3000V AC minimum.
Max. Working Voltage	600V AC RMS.
Impact Resistance	In accordance with UL 746C.
Terminal Identification	In accordance with UL, CSA and international conventions.
Product Identification	Identification and ratings are part of external label.
Mounting	External fully adjustable feet.
Fuse Types	UL Listed, Class "J"; CSA Certified, HRCI-J.

### Materials

Part	Material
Base	PBT
Door	PBT
Handle	PBT
Conduit Hub	Zinc, 30A Fused – 1 in., 60A Fused – 1¼ in.
Enclosure Gasket	Neoprene
Shaft	Brass
Shaft Seal	Neoprene
Frame	Galvanized Steel
Ground Plate	Galvanized Steel
Enclosure Screws	Stainless Steel 300 Series

# Switched Disconnects and Enclosures

## Ratings Quick Reference Guide

### Circuit-Lock® Switched Enclosures

Amp Description	Phase	Poles	HP				Catalog Number
			120	240	480	600	
30 TYPE 1 Non-Metallic	3	3	3	7.5	15	20	<b>HBL1389MQR</b>
TYPE 1 Non-Metallic	3	3	3	7.5	15	20	<b>HBL1389MQ5</b>
TYPE 1 Non-Metallic	3	3	3	7.5	15	20	<b>HBL1389MQR2</b>
NEMA 1 Aluminum	1	2	2	5	10	15	<b>HBL1372D</b>
NEMA 1 Aluminum	3	3	3	7.5	15	20	<b>HBL1379D</b>
NEMA 1 Non-Metallic	1	2	2	5	10	15	<b>HBL1392D</b>
NEMA 1 Non-Metallic	3	3	3	7.5	15	20	<b>HBL1389D</b>
NEMA 3/3R Non-Metallic	1	2	2	5	10	15	<b>HBL13R22D</b>
NEMA 3/3R Non-Metallic	3	3	3	7.5	15	20	<b>HBL13R23D</b>
NEMA 3R Die Cast Aluminum	1	2	2	5	10	15	<b>HBL13R12D</b>
NEMA 3R Die Cast Aluminum	3	3	3	7.5	15	20	<b>HBL13R13D</b>
NEMA 3R Aluminum	1	2	2	5	10	15	<b>HBL13R92D</b>
NEMA 3R Aluminum	3	3	3	7.5	15	20	<b>HBL13R89D</b>
IP69k TYPE 4X Labelless Non-Metallic	3	3	1	7.5	15	15	<b>HBLDS3</b>
IP69k TYPE 4X Labelless Non-Metallic	3	3	1	7.5	15	15	<b>HBLDS3AC</b>
IP69k TYPE 4X Labelless Non-Metallic	3	3	1	7.5	15	15	<b>HBLDS3NK</b>
IP69k TYPE 4X Labelless Non-Metallic	3	3	1	7.5	15	15	<b>HBLDS3ACNK</b>
IP69k TYPE 4X Labelless Non-Metallic	3	3	1	5	10	10	<b>HBLDS33ACNK</b>
TYPE 4X Labelless Non-Metallic	3	3	1	7.5	15	15	<b>HBLDS3MQR</b>
TYPE 4X Labelless Non-Metallic	3	3	1	7.5	15	15	<b>HBLDS3MQ5</b>
TYPE 4X Labelless Non-Metallic	3	3	1	7.5	15	15	<b>HBLDS3MQR2</b>
IP69k TYPE 4X Stainless Steel	3	3	1	7.5	15	15	<b>HBLDS3SS</b>
IP69k TYPE 4X Stainless Steel	3	3	1	7.5	15	15	<b>HBLDS3SSAC</b>
IP69k TYPE 4X Stainless Steel	3	3	1	7.5	15	15	<b>HBLDS3SSVFD</b>
TYPE 4X Stainless Steel	3	3	1	7.5	15	15	<b>HBLDS3SSMQR</b>
TYPE 4X Stainless Steel	3	3	1	7.5	15	15	<b>HBLDS3SSMQ5</b>
IP69k TYPE 4X, 12 and IP69k Sloped, SS	3	3	1	7.5	15	15	<b>HBLDS3SSR</b>
IP69k TYPE 4X, 12 and IP69k Sloped, SS	3	3	1	7.5	15	15	<b>HBLDS3SSR2K</b>
IP69k TYPE 4X, 12 and IP69k Sloped, SS	3	3	1	7.5	15	15	<b>HBLDS3SSRVFD</b>
IP69k TYPE 4X, 12 and IP69k Sloped, SS	3	3	1	7.5	15	15	<b>HBLDS3SSRAC</b>
IP69k TYPE 4X, 12 and IP69k Sloped, SS	3	3	1	7.5	15	15	<b>HBLDS3SSRMQR</b>
IP69k TYPE 4X, 12 and IP69k Sloped, SS	3	3	1	7.5	15	15	<b>HBLDS3SSRMQ5</b>
IP69k TYPE 4X, 12 and IP69k Sloped, SS	3	3	1	7.5	15	15	<b>HBLDS3SSRMQR2</b>
TYPE 4X Non-Metallic Fused Disconnect	3	3	1	7.5	15	20	<b>FDS30</b>
NEMA 4X Stainless Steel	3	3	3	7.5	15	20	<b>HBL13S33D</b>
NEMA 4X Non-Metallic	3	3	3	7.5	15	20	<b>HBL13X33D</b>
60 NEMA 3R Aluminum	1	2	—	10	15	20	<b>HBL16R92D</b>
NEMA 3R Aluminum	3	3	—	10	25	30	<b>HBL16R93D</b>
IP69k TYPE 4X Non-Metallic	3	3	7.5	30	50	50	<b>HBLDS6</b>
IP69k TYPE 4X Non-Metallic	3	3	7.5	30	50	50	<b>HBLDS6AC</b>
IP69k TYPE 4X Stainless Steel	3	3	7.5	30	50	50	<b>HBLDS6SS</b>
IP69k TYPE 4X Stainless Steel	3	3	7.5	30	50	50	<b>HBLDS6SSAC</b>
IP69k TYPE 4X, 12 and IP69k Sloped, SS	3	3	7.5	30	50	50	<b>HBLDS6SSR</b>
IP69k TYPE 4X, 12 and IP69k Sloped, SS	3	3	7.5	30	50	50	<b>HBLDS6SSRVFD</b>
IP69k TYPE 4X, 12 and IP69k Sloped, SS	3	3	7.5	30	50	50	<b>HBLDS6SSRAC</b>
TYPE 4X Non-Metallic Fused Disconnect	3	3	3	15	30	40	<b>FDS60</b>
NEMA 4X Stainless Steel	3	3	—	10	25	30	<b>HBL16S63D</b>
NEMA 4X Non-Metallic	3	3	—	10	25	30	<b>HBL16X63D</b>
100 IP69k TYPE 4X Non-Metallic	3	3	7.5	30	50	50	<b>HBLDS10</b>
IP69k TYPE 4X Non-Metallic	3	3	7.5	30	50	50	<b>HBLDS10AC</b>
IP69k TYPE 4X Stainless Steel	3	3	7.5	30	50	50	<b>HBLDS10SS</b>
IP69k TYPE 4X Stainless Steel	3	3	7.5	30	50	50	<b>HBLDS10SSAC</b>
IP69k TYPE 4X, 12 and IP69k Sloped, SS	3	3	7.5	30	50	50	<b>HBLDS10SSR</b>
IP69k TYPE 4X, 12 and IP69k Sloped, SS	3	3	7.5	30	50	50	<b>HBLDS10SSRVFD</b>
IP69k TYPE 4X, 12 and IP69k Sloped, SS	3	3	7.5	30	50	50	<b>HBLDS10SSRAC</b>
200 Type 4X, 12 Non-Metallic			10	75	150	200	<b>HBLDS20</b>
Type 4X, 12 Stainless Steel			10	75	150	200	<b>HBLDS20SS</b>

Note: HP ratings apply to Jog and LED versions.



HBL1379D



HBL1389D



HBL1392D



HBL13R22D



HBLDS3



FDS30



HBLDS3P



HBLDS3J



HBLDS3MQR



HBLDS3MQ5



HBLDS3SS



HBLDS3SSR



HBLDS20



HBLDS20SS